

BULLION TL-30



Special Features: 2 hour, 350°F factory fire rating.

Body & Door: Multi-layered structure that combines outer and inner steel plates enclosing a monolithic casting of specialized concrete mixed with ISM's unique anti-penetration composite material. The door is reinforced with ISM's patented anti-penetration alloy grid, providing high protection against concentrated attacks with mechanical and electrical tools.

Bolts & Locking Mechanisms: Three-way active boltwork. Double-action locking mechanism. Glass plate relocking protection on all locks.

Locks: Two UL approved locks. Mechanical or digital combination lock and a high security key lock.

Interior Fitting: Adjustable removable shelves. A hole for an alarm system connection - optional.

ISM

SINCE 1914

BULLION TL-30

U.L. APPROVED TL-30

High protection against concentrated attacks with mechanical and electrical tools.



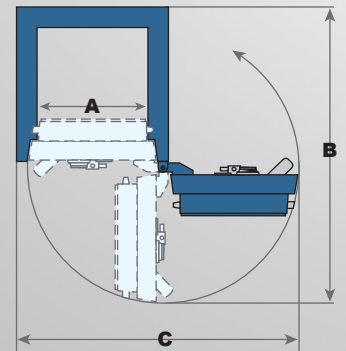
-  Glass Plate Relocking Protection
-  Multi Layered Structure
-  Reinforced Bolt Cylinders
-  4-Way Bolts Engagement
-  Special Alloy Grid
-  Double Locking Protection



Model	Inside Dimensions			Outside Dimensions			Volume CuFt	Weight*		Door Swing			Shelves
	H	W	D	H	W	D		Lbs	A	B	C		
BU251816	25	18	16	31.50	24.50	27	4.2	1230	18	50	44.5	1	
BU352120	35	21	20	41.50	27.50	31	8.5	1820	21	57	50.5	1	
BU352420	35	24	20	41.50	30.50	31	9.7	1940	24	60	56.5	1	
BU452120	45	21	20	51.50	27.50	31	10.9	2160	21	57	50.5	2	
BU452420	45	24	20	51.50	30.50	31	12.5	2300	24	60	56.5	2	
BU552120	55	21	20	61.50	27.50	31	13.4	2500	21	57	50.5	3	
BU552420	55	24	20	61.50	30.50	31	15.3	2660	24	60	56.5	3	
BU602120	60	21	20	66.50	27.50	31	14.6	2670	21	57	50.5	3	
BU602124	60	21	24	66.50	27.50	35	17.5	2910	21	61	50.5	3	
BU652818	65	28	18	71.50	34.50	29	19.0	3270	28	62	64.5	4	
BU723626	72	36	26	78.50	42.50	37	39.0	4710	36	78	80.5	4	

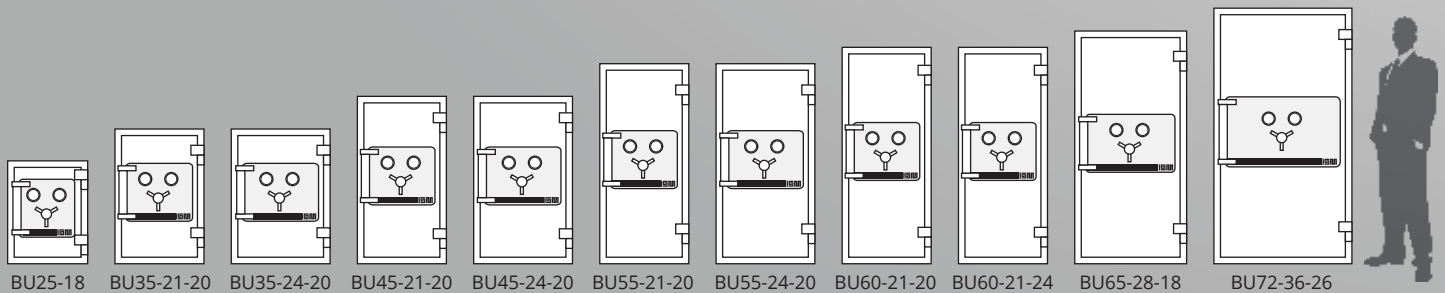
- * Weight Tolerance - 5%.
- ** Dimensions Tolerance - $\pm 0.5"$.
- *** Add 2" to outside depth for 3-Spokes Operating Handle.
- **** Add 3.55" to outside depth for Pull-Handle.

Colors:



Add Ons:

- Left Swing - Optinal - No charge
- Preparation (only) for movement time-lock - No charge - By Request
- Custome interior secured compartments - By Request
- Additional shelves - By Request



SINCE 1914